



STANDHEIZUNG  
ENGINE-INDEPENDENT HEATING SYSTEM

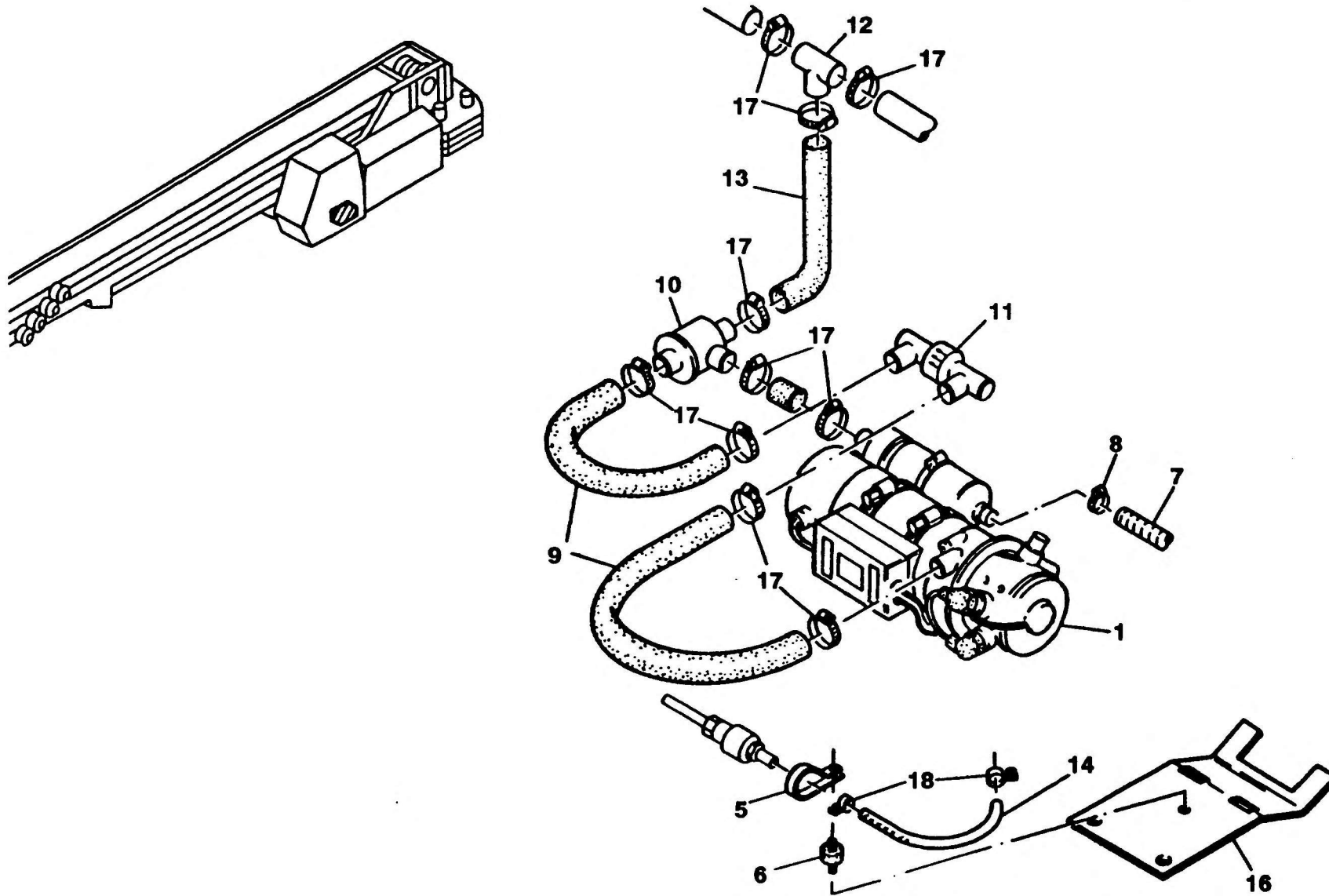
BILDTAFEL  
PICTORIAL DISPLAY

KMK 6200  
BE 753  
G 296

09.91

2086393-ETL B

1/1



A08\_275